

SY-CP4C Series Solar Connector

SY-CP4C系列:光伏板端连接器



IEC 1500V
UL 1500V



UL: 6703
IEC: 62852



-40°C~85°C



UL94-V0



IP 68



UV Resistance



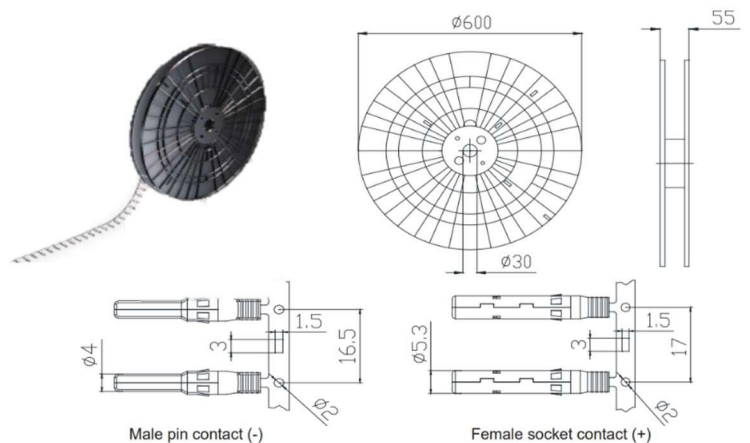
Product Overview 产品概述:

CP4C Series connectors use high quality weather resistance materials that guarantee long-term reliability. The connector could match 2.5mm² to 10mm² cables, it could be widely used in different applications. The lower contact resistance and higher current transfer capability ensure high product efficiency. CP4C connectors have IP68 water-proof rating and can be used in a wide operating temperature range from -40 °C to 85°C.

CP4C系列连接器采用高品质绝缘耐候材料，可保障产品在户外长期安全使用。产品可适配 2.5平方到 10平方电线，具有更广的应用范围。较小的接触电阻和大电流传输能力保障了产品长期使用的可靠性。CP4C系列连接器符合 IP68 额定标准，且能够工作在-40 °C 到 85°C 极限环境。

Technical Data 技术参数:

Rated Voltage 额定电压	IEC 1500V/UL1500V
Certification 执行标准	IEC 62852; UL 6703
Rated Current 额定电流	25A/35A/40A/50A
Ambient 工作温度	-40°C up to +85°C
Contact Resistance 接触电阻	≤0.25mΩ
Pollution Degree 污染等级	Class II
Protection Degree 保护等级	Class II
Fire Resistance 阻燃等级	UL94-V0
Rated Impulse Voltage 额定浪涌电压	16KV



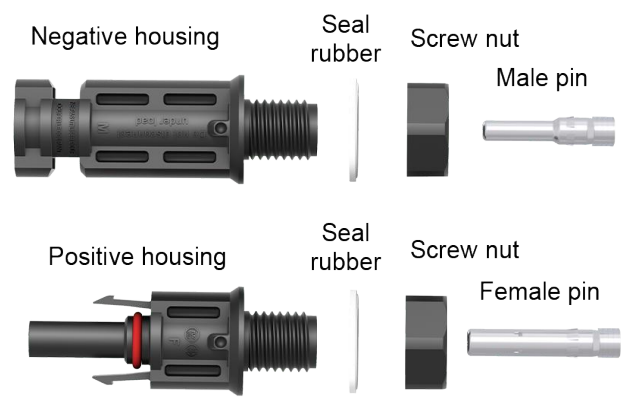
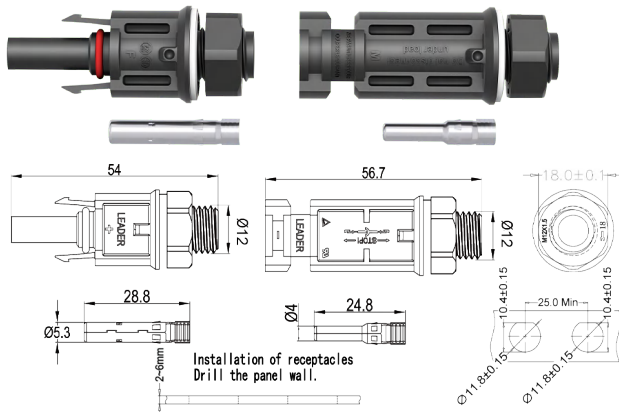
Order Data 规格信息:

MODEL 型号	Voltage 电压	Current 电流	Cable OD	IP	Cable Spec
CP4C 2.5	1500V	25A	≤8mm	IP68	2.5mm ²
CP4C 46		35A/40A	≤8mm	IP68	4mm ² /6mm ²
CP4C 10		50A			10mm ²



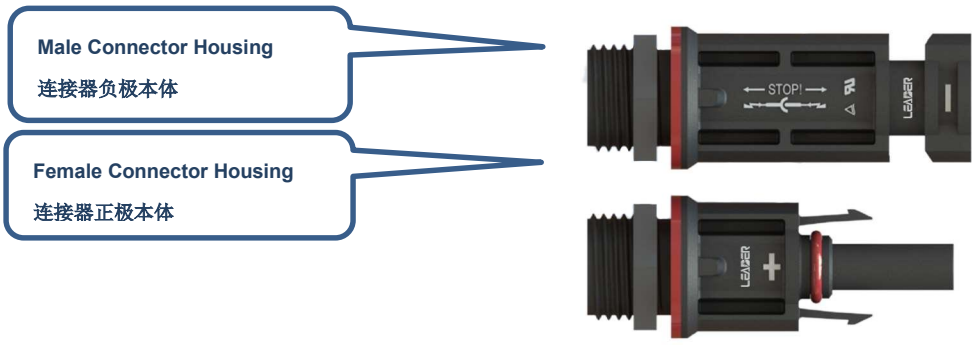
SY-CP4C Series SolarConnector

SY-CP4C系列:光伏板端连接器



Male Connector Housing 连接器负极本体	Female Connector Housing 正极本体	Male Terminal 负极导电体	Female Terminal 正极导电体	Remark
<input type="checkbox"/> M6:CP4C-M8	<input type="checkbox"/> F6:CP4C-F8	<input type="checkbox"/> MU:CP4C-MU-2.5	<input type="checkbox"/> FU:CP4C-FU-2.5	
		<input type="checkbox"/> MU:CP4C-MU-46	<input type="checkbox"/> FU:CP4C-FU-46	
		<input type="checkbox"/> MO10:CP4C-MO-10	<input type="checkbox"/> FO10:CP4C-FO-10	

* Customized options available, for more information, please contact LEADER team: info@leadergroup-cn.com.



Type U Male Terminal
U型 公端子



Type O Male Terminal
O型 公端子



Type U Female Terminal
U型 母端子



Type O Female Terminal
O型 母端子



Package Info 包装信息:

Carton Dimension (cm)	Pack list	QTY	Gross Weight (kg)
59cm X 39cm X19cm	Male Housing	500 pcs	16kg
	Female Housing	500 pcs	
	Male terminal	500 pcs	
	Female terminal	500 pcs	

Remark: 500 pairs in one carton package

