



Max 2500V



Max 55A



1~3ms



UL94-V0



IP 68



UV Resistance



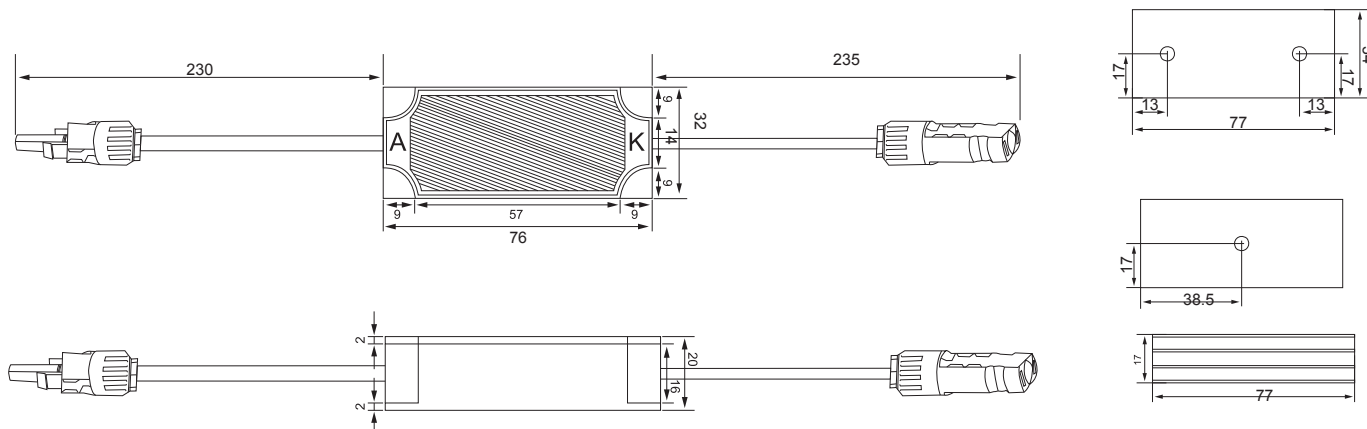
Product Overview 产品概述:

- 1). The chip is electrically insulated from the base plate, 3100V AC insulation
- 2). Adopt glass passivation chip welding, excellent temperature characteristics and power cycle capability
- 3). Small size and light weight
- 4). The key components are made of silicon carbide material, which is more than 15% lower than the power consumption of ordinary diodes

Technical Data 技术参数:

Rated Voltage 额定电压	Max 2500V
Rated Current 额定电流	1~55A
Rated Breaking Capacity 额定分断电流	30KA@1500V
Time Constant 时间常数	1-3ms
Pollution Degree 污染等级	Class II
Protection Degree 保护等级	Class II
Fire Resistance 阻燃等级	UL94-V0
Rated Impulse Voltage 额定浪涌电压	12KV

Drawing 规格信息:



* Customized options available, for more information, please contact us: info@leadergroup-cn.com

