

FUSE Connector

光伏保险丝连接器



Max 1000V



Max 15A



1~3ms



UL94-V0



IP 68



UV Resistance



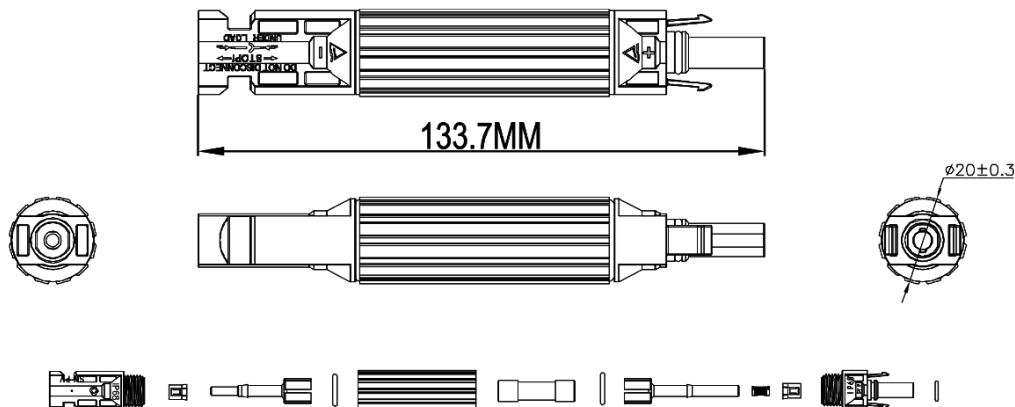
Product Overview 产品概述:

- 1)Contact with drum-type crown spring, make electrical connection safety and fastness.
- 2)Self-locking between the female and male connector, installation conveniently and reliably.
- 3)Ratchet mechanism design to lock the nut cover, avoid being loosened after long term using.
- 4)Contact resistance less than 0.35mΩ with Multi-Contact, less heating and low power consume.
- 5)Strong ageing resistance and UV resistance, suitable for use in multiple harsh outdoor environments.
- 6)It is suitable for various harsh outdoor environments such as deserts, lakes, seashores, and mountains.

Technical Data 技术参数:

Rated Voltage 额定电压	Max 1000V
Rated Current 额定电流	1~15A
Rated Breaking Capacity 额定分断电流	30KA@1000V
Time Constant 时间常数	1-3ms
Pollution Degree 污染等级	Class II
Protection Degree 保护等级	Class II
Fire Resistance 阻燃等级	UL94-V0
Rated Impulse Voltage 额定浪涌电压	12KV

Drawing 规格信息:



* Customized options available, for more information, please contact us: info@leadergroup-cn.com

