

FUSE Holder: SY-4F0-15

光伏保险丝连接器: SY-4F0-15



Max 1500V



Max 50A



1~3ms



UL94-V0



IP 68



UV Resistance



Product Overview 产品概述:

SY-4F0-15 Fuse connectors use high quality weather resistance materials that guarantee long-term reliability. It could be installed on site. A6 Max Fuse connectors could match 2.5 mm² to 16mm² cables, it could be widely used in different applications. The lower contact resistance and higher current transfer capability ensure high product efficiency. A6 Max Fuse Connectors have IP68 water-proof rating and can be used in a wide operating temperature range.

SY-4F0-15 系列光伏保险丝连接器采用高品质绝缘耐候材料, 可保障产品在户外长期安全使用。在安装现场可实现快速安装。产品可适配 2.5 平方到 16 平方线缆, 具有更广的应用范围。较小的接触电阻和更大电流传输能力保障了产品长期使用的可靠性。产品符合 IP68 额定标准。

Technical Data 技术参数:

Rated Voltage 额定电压	Max 1500V
Rated Current 额定电流	1~50A
Rated Breaking Capacity 额定分断电流	30KA@1500V
Time Constant 时间常数	1-3ms
Pollution Degree 污染等级	Class II
Protection Degree 保护等级	Class II
Fire Resistance 阻燃等级	UL94-V0
Rated Impulse Voltage 额定浪涌电压	12KV
Locking System 锁扣	NEC Locking Type

Order Data 规格信息:

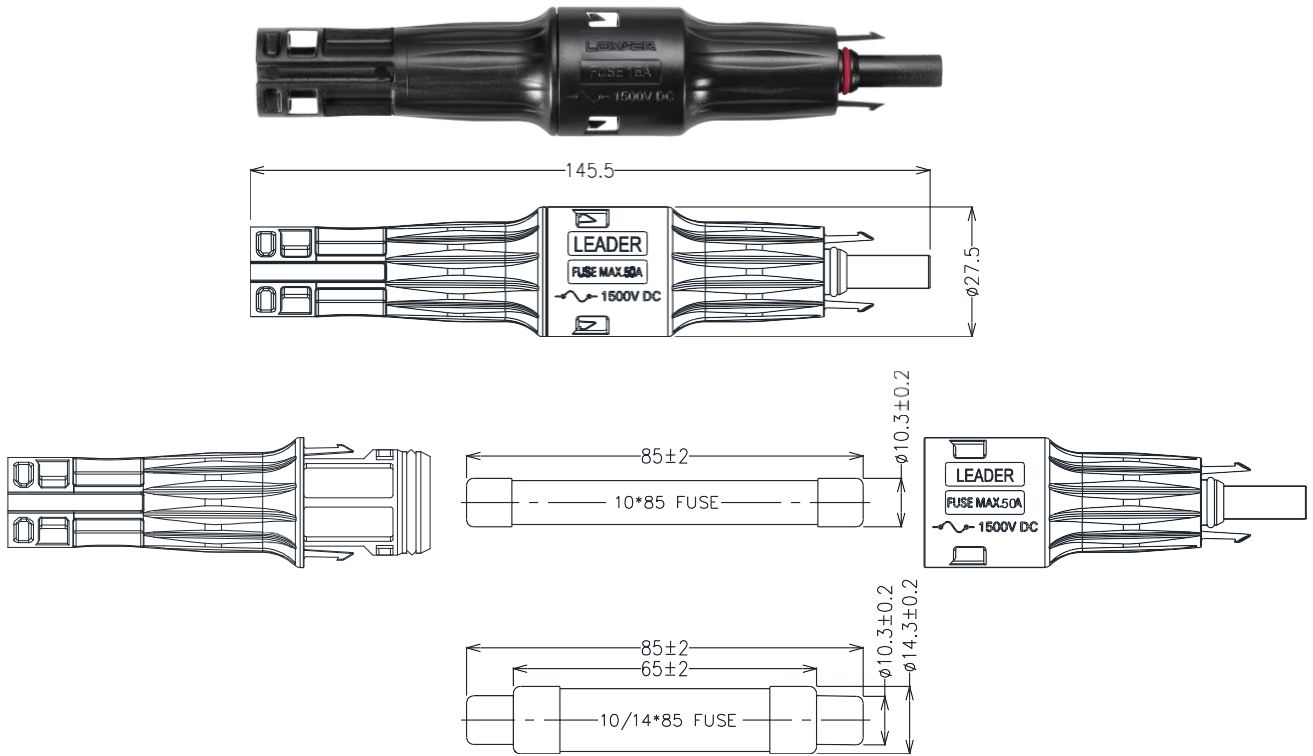
A6-C	Fuse Voltage	FUSE Current	Cable Conduct	Cable OD	Variations
Solar DC Fuse Holder	<input type="checkbox"/> IEC1500V	<input type="checkbox"/> 01: 1A/2A/3A	<input type="checkbox"/> 01: 2.5mm ²	<input type="checkbox"/> 01: 4.3mm~6.0mm	<input type="checkbox"/> _____
	<input type="checkbox"/> UL1500V	<input type="checkbox"/> 02: 4A/10A/15A	<input type="checkbox"/> 02: 4 mm ²	<input type="checkbox"/> 02: 6.0mm~7.0mm	
	<input type="checkbox"/>	<input type="checkbox"/> 03: 20A/25A/30A	<input type="checkbox"/> 03: 6 mm ²	<input type="checkbox"/> 03: 7.0mm~8.0mm	
	<input type="checkbox"/> _____	<input type="checkbox"/> 04: 32A/40A/50A	<input type="checkbox"/> 04: 10 mm ²	<input type="checkbox"/> 03: 8.0mm~10mm	
			<input type="checkbox"/> 05: 16 mm ²	<input type="checkbox"/> _____	

* Customized options available, for more information, please contact us: info@leadergroup-cn.com



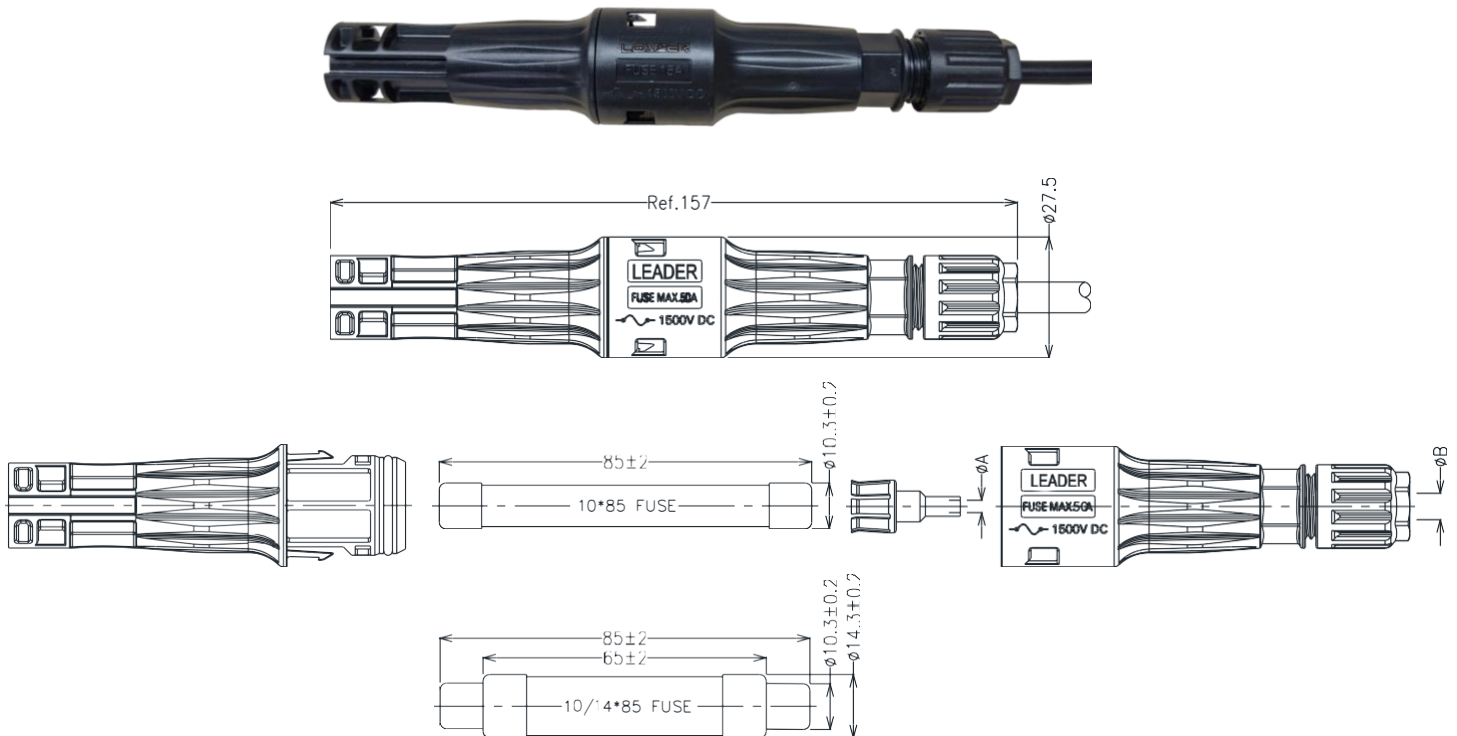
FUSE Holder: SY-4F0-15

光伏保险丝连接器: SY-4F0-15



FUSE Holder: SY-4F1-15

光伏保险丝连接器: SY-4F1-15



*建议最高使用环境温度为75摄氏度, 且在75-85摄氏度下使用不能超过8小时。

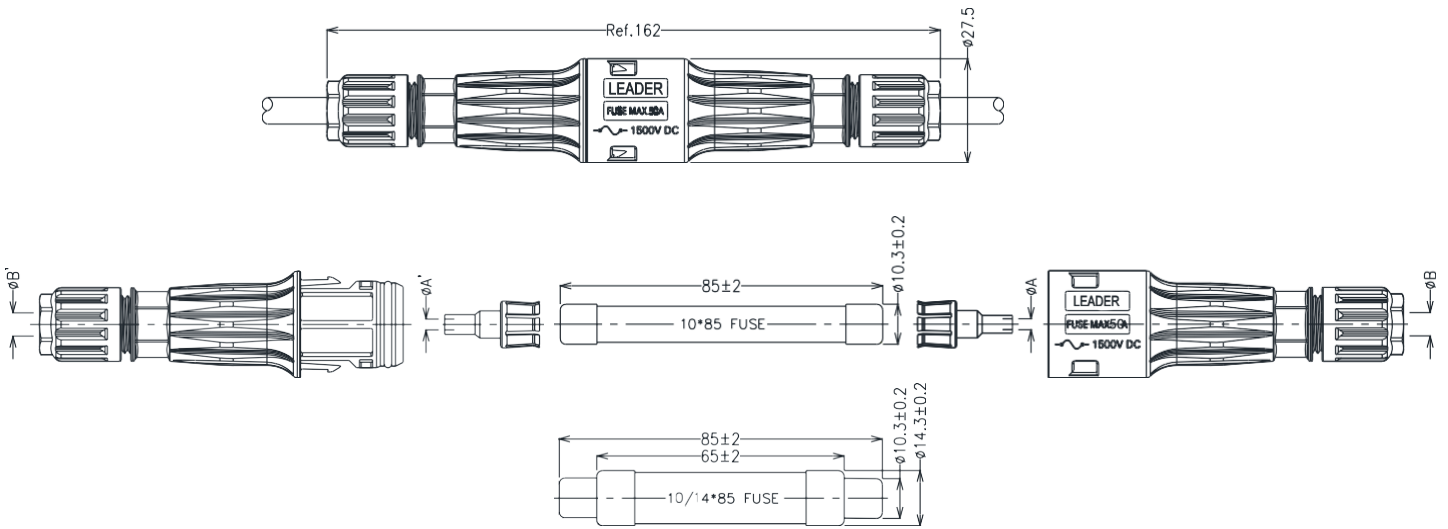
* Recommended that the Max ambient temperature is 75°C, and not exceed 8 hours in 75-85°C.

* Customized options available, for more information, please contact us: info@leadergroup-cn.com



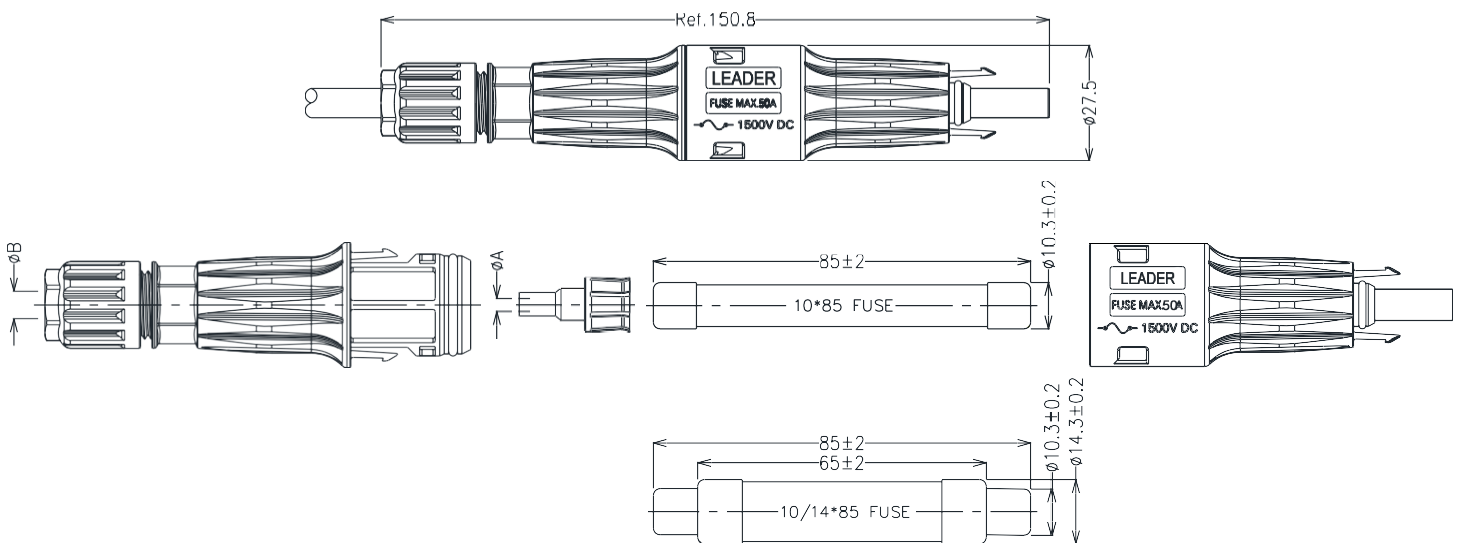
FUSE Holder: SY-4F2-15

光伏保险丝连接器: SY-4F2-15



FUSE Holder: SY-4F3-15

光伏保险丝连接器: SY-4F3-15



*建议最高使用环境温度为75摄氏度,且在75-85摄氏度下使用不能超过8小时。

* Recommended that the Max ambient temperature is 75°C, and not exceed 8 hours in 75-85°C.

* Customized options available, for more information, please contact us: info@leadergroup-cn.com

