

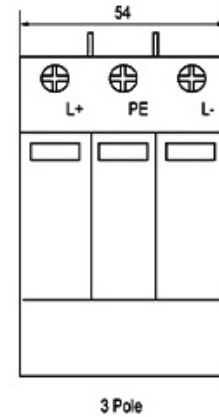
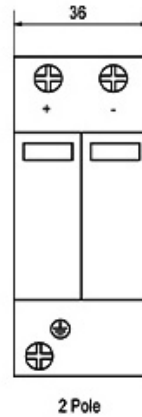
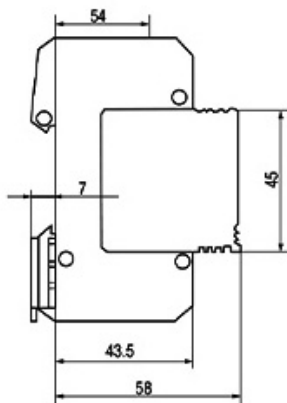
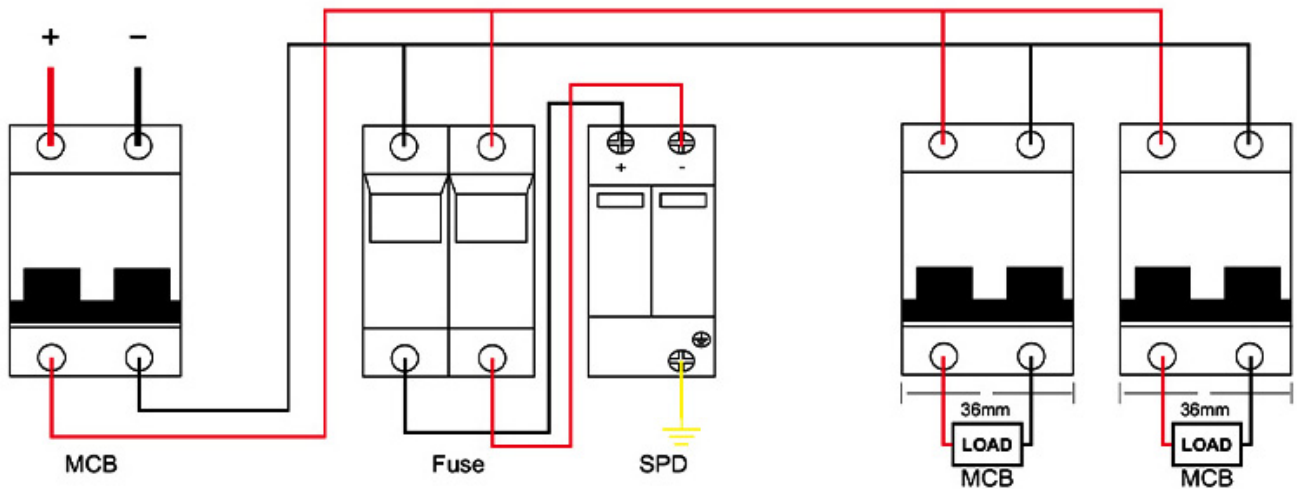
DC Surge Protect Device

Technical Data



Rated Voltage:	DC 500V, 1000V, 1200V
Max Operating Voltage:	DC 630V, 1060V, 1260V
Discharge Current:	20KA 40KA 60KA
Operating Temperature:	-40° C to +85° C
Relative Humidity:	≤95% (25° C)
Installation Method:	35mm Din Rail
Window Indicates: Normal: Green	Failure: Red .
Degree of Protection:	IP20
Leakage:	<20

LD-SPD



* For more information, please contact LEADER GROUP sales team: info@leadergroup-cn.com

