

DC Isolator Swicth

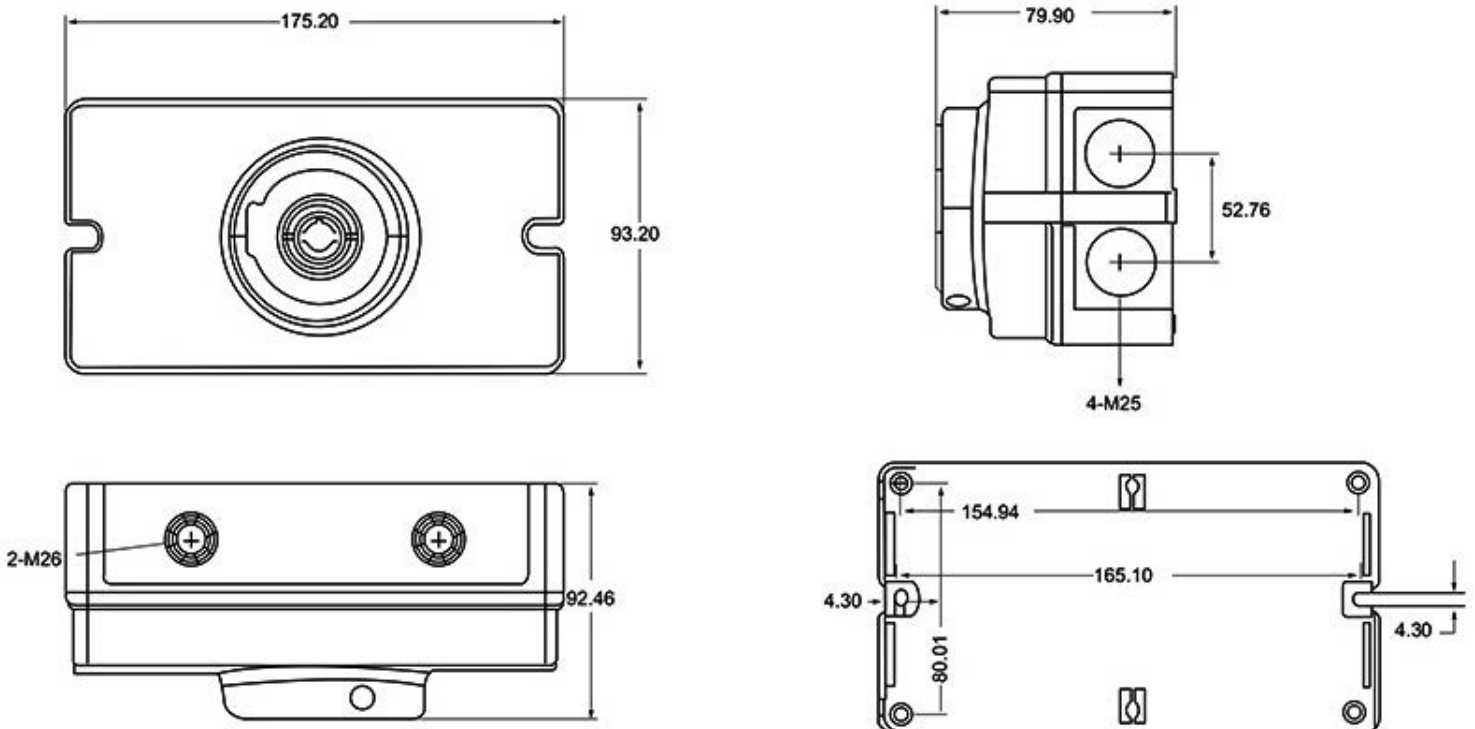
Technical Data



SISO-40

Rated Voltage:	DC 1000V
IP Rating:	IP66
Connection Type:	M20 M25 MC4
Rated Current:	10A, 16A, 20A, 25A, 32A
Working Temperature:	-25°C~+85°C

Dimension Drawing



* For more information, please contact LEADER GROUP sales team: info@leadergroup-cn.com

