

PV-DC Isolator



LD0191 DC Isolator

Technical Data

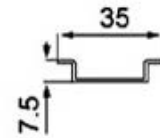
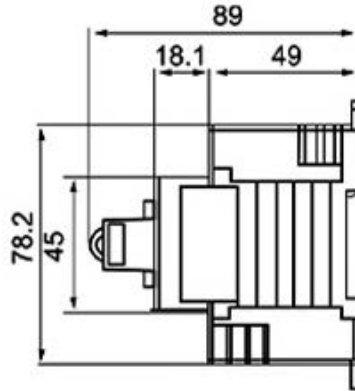
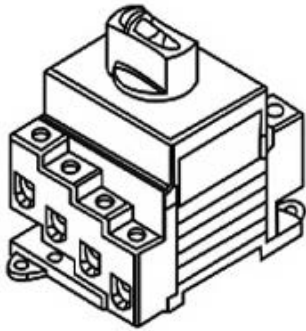
Type	LD0191
Function	Isolating, Controlling
Pole Number	4P
Max Rated Current	32A
Rated Working Voltage (Ue)	1200VDC
Rated Current (In)	16A, 25A, 32A
Rated Insulated Voltage (Ui)	1200VDC
Rated Short-Time Withstand Current (Icw)	1kA, 1S
Rated Impulsed Voltage (Uimp)	8kV
Overvoltage Category	II
Polarity	Non polarity, "+" and "-" polarities could be interchanged
Mechanical	18000 times
Electrical	2000 times
Ingress Protection	IP20
Storage Temperature	-40°C ~ +85°C
Mounting Type	Vertically or horizontally
Pollution Degree	3

* For more information, please contact LEADER GROUP sales team: info@leadergroup-cn.com

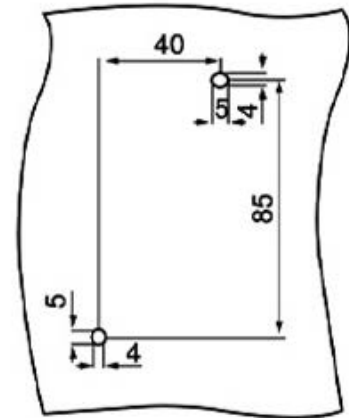


DC Isolator

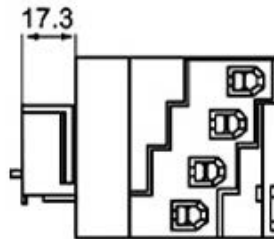
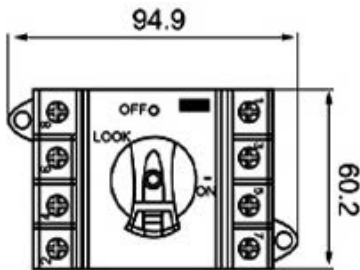
Dimension Drawing



Installation size of switch bottom guide



Screw installation size



FDIS-NHV100	...2	...2H	...4	...4S	...4B	...4T
FDIS-NHV120	...2	...2H	...4	...4S	...4B	...4T
Contacts Wiring Diagram						
Switching Example						

