

87 : I G9'

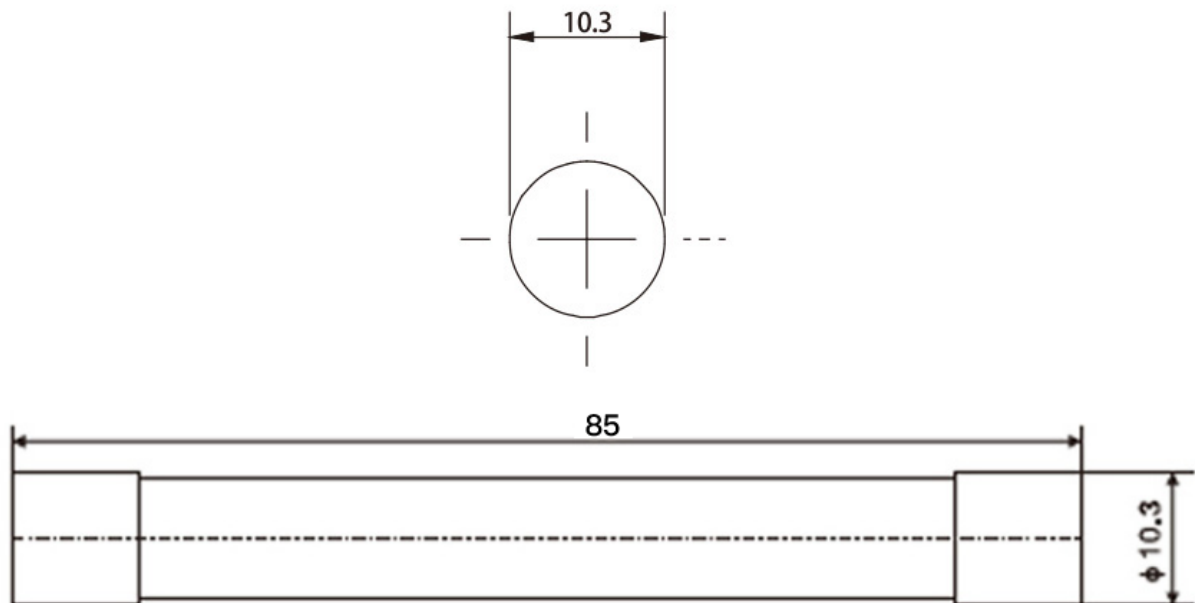
Technical Data



Rated Voltage:	DC 1500V
FUHY Wff Ybh	%Z&Z' ž(z) ž*ž, ž%SZ%&Z%) "%*ž&SZ& A
FUHYX 6f YU_] b[' 7UdUW/hnff?5L	25
7 Ugg' cZ' CdYfUh) cb	[DJ
Kcf_] b['HYadYfUhi fYfi L:	!) S Ž90
Altitude (m):	≤4000
Weight (g):	18.4

Material Details				
Part Name	Cap	Body	Fuse Element	Arc-extinguishing Agent
Material	Red Copper	Aluminium Oxide	Silver	Silica

Dimension Drawing



* For more information, please contact LEADER GROUP sales team: info@leadergroup-cn.com



DC FUSE HOLDER

Technical Data



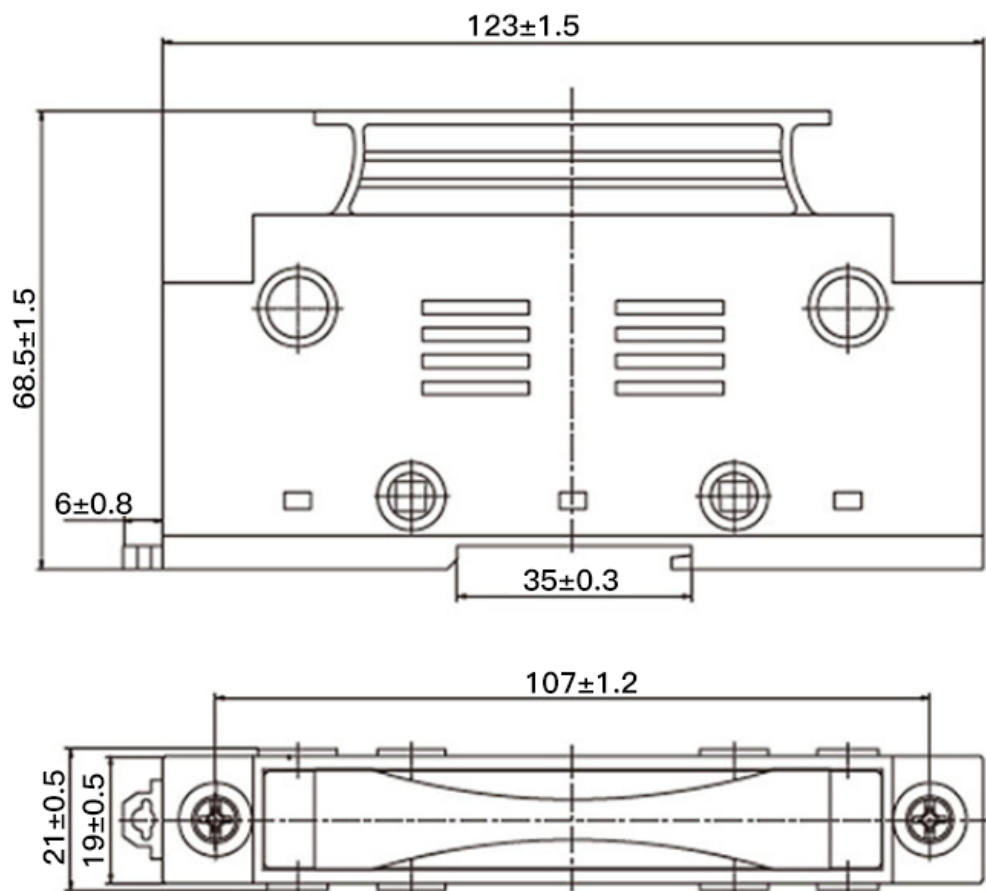
ZTPV-32

Pole:	1P
Fuse Link Size (mm):	10x85
Rated Voltage (V):	DC1500
Rated Current (A):	25
DIN Rail (mm):	35
Weight (g):	95.5

Material Details

Part Name	Plastic Cement	Copper
Material	PBT (V-0)	Red Copper

Dimension Drawing



* For more information, please contact LEADER GROUP sales team: info@leadergroup-cn.com



Power Loss

Model	Rated Current (Amps)	Joule Integral $I^2t(A^2s)$		Power Loss(W)	
		Pre-Arcing	Total at 1500V	$0.8I_n$	$1.0I_n$
ZTPV-32	1	0.15	0.4	0.8	1.5
	2	1.2	3.4	0.6	1.0
	3	4	11	0.8	1.3
	4	9.5	26	1.0	1.5
	5	19	50	1.0	1.6
	6	30	90	1.1	1.8
	8	3	32	1.2	2.1
	10	7	70	1.2	2.3
	12	12	120	1.5	2.7
	15	22	220	1.7	2.9
	20	34	350	2.1	3.6

Characteristics Curve

Environmental Temperature and Fuse Reduction Coefficient Characteristics

Time-current curve

