

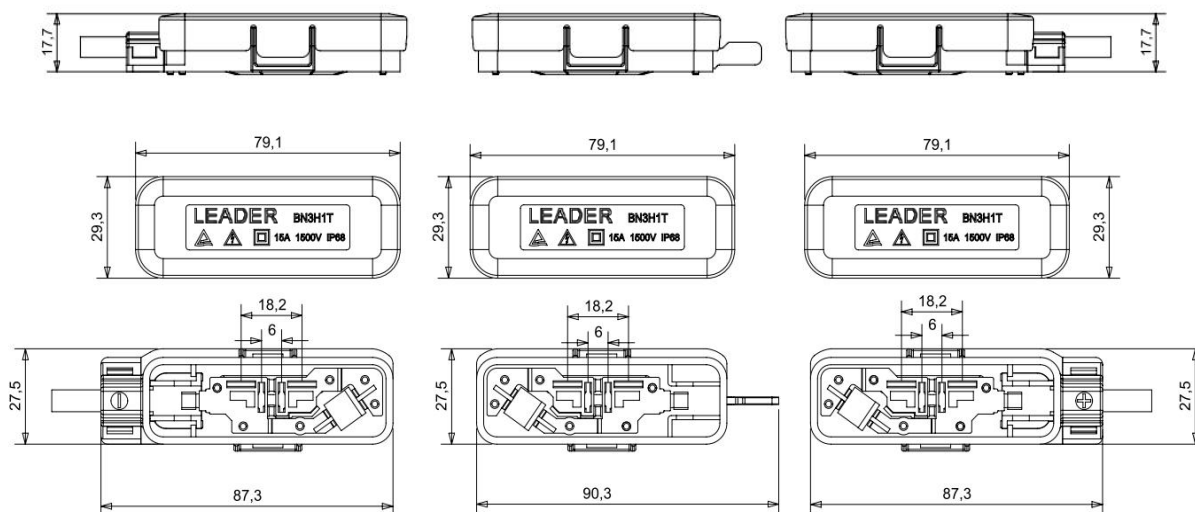
4 Rails Junction Box

Technical Data



额定电压 Rated voltage	1500V	阻燃等级 Flame Class	UL94-V0
额定电流 Rated current	8.5A	连接线规格 Wire Type	4-6mm ²
使用温度 Ambient temperature	-40℃...+85℃	防水方式 Degree of protection	灌密封胶 Pouringsealant
安全等级 Safety class	Class II	焊带连接 Busbar connection	焊接 Welding
防护等级 Degree of protection	IP68	旁路二极管规格 Bypass diode specification	10A、1000V

PV-BN3H1T



Standard Package Info:



Carton Dimension (cm)	Pack list	QTY	Gross Weight (kg)
45cm X 35cm X 25cm	PV-BN3H1T	25 pcs	15.4kg
Remark: 25 pcs in one carton package			

Remark: A4 series connectors use high quality weather resistance materials that guarantee long-term reliability.

