

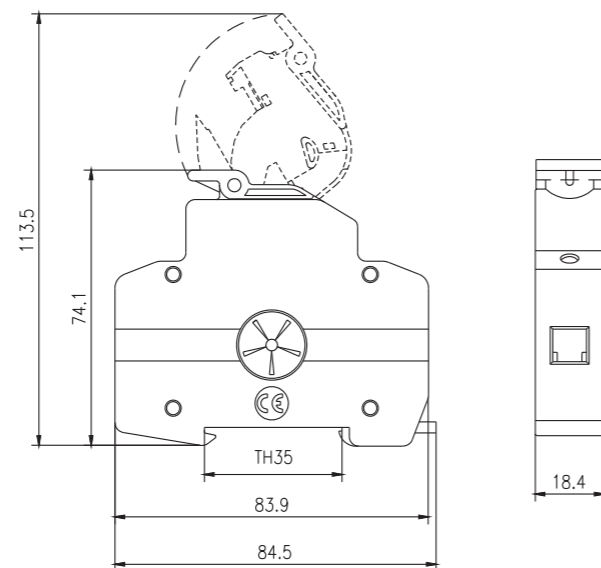
Fuse

CFPV-32H 32A 1000V DC (10X38)

光伏熔断器  
Photovoltaic Fuse

- ☛ 额定电压/ Rated Voltage : 1000V.dc
- ☛ 使用类别 /Class of Operation: gPV
- ☛ 标准/Standard: UL248-19 IEC 60269-6

尺寸/Dimensions-mm

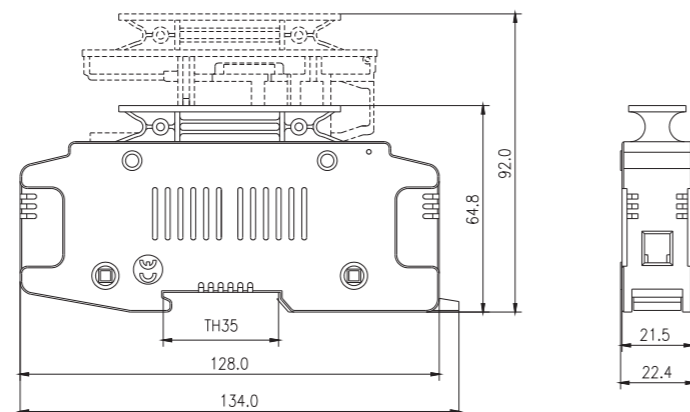


CFPV-32H

CFPV-63T 50A 1500V DC (10/14X85)

光伏熔断器  
Photovoltaic Fuse

- ☛ 额定电压/ Rated Voltage : 1500V.dc;
- ☛ 使用类别 /Class of Operation: gPV
- ☛ 标准/Standard: UL248-19 IEC 60269-6



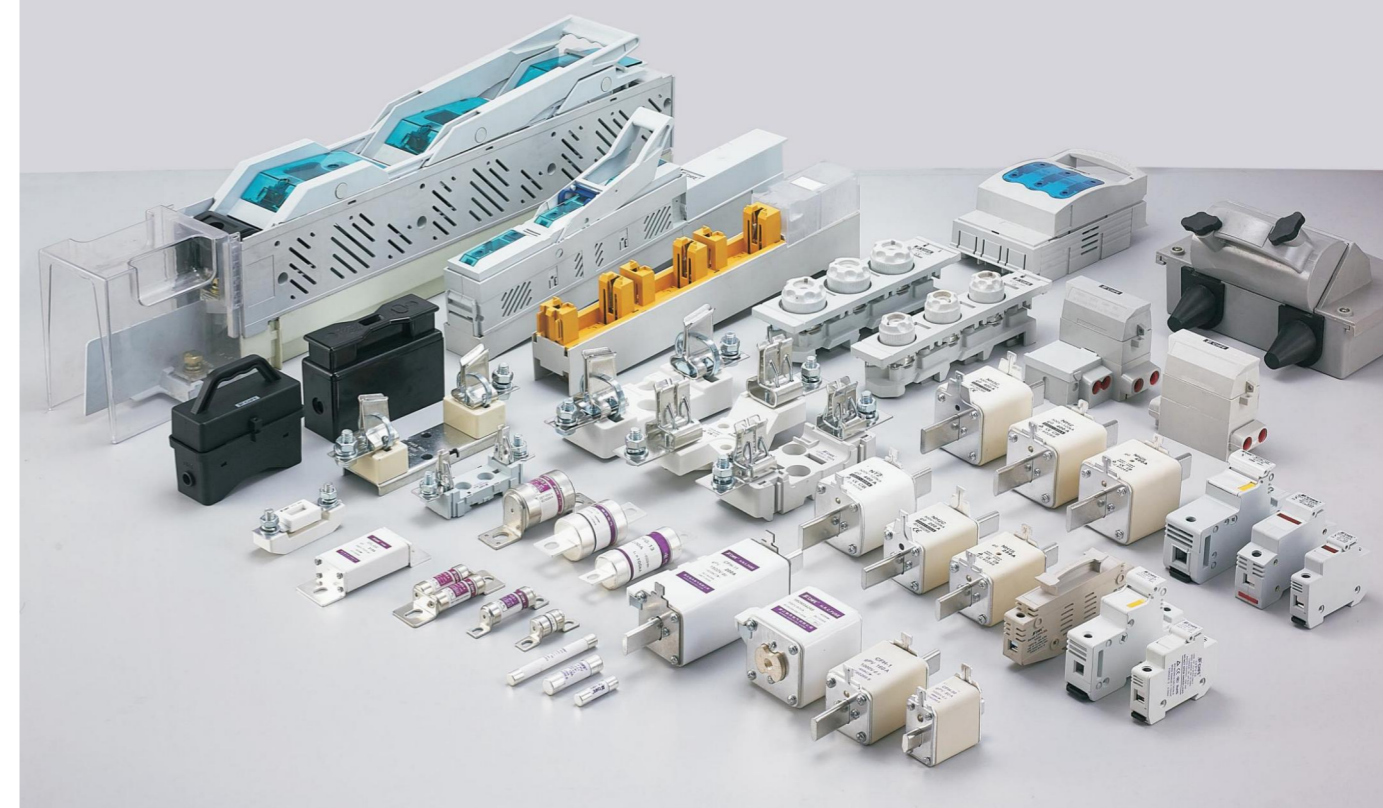
CFPV-63T



LEADER

东莞绿德科技

Photovoltaic Fuse  
光伏熔断器



东莞绿德科技有限公司

LEADER TECHNOLOGY (SHENZHEN) CO.,LIMITED

电话 (Tel) :  
0769-3335-6021

广东省东莞市长安镇长安青南路1号8栋2207室  
No 1, Chang Qing South Road, Chang'an, Dongguan,  
Guangdong, China

MT: +86-13642919927  
E-mail: info@leadergroup-cn.com

www.leader-solar.com www.leadergroup-cn.com

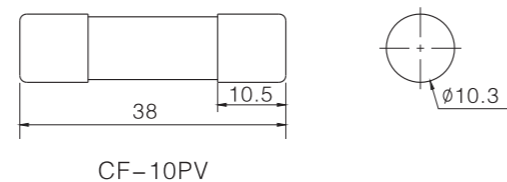
由于拍摄及印刷的原因，产品图片与实物存在部分色差，敬请以产品实物为准！感谢您的理解！

CF-10PV CFPV1038  
1A-32A 1000V DC

光伏熔断器  
Photovoltaic Fuse

- ✦ 尺码/Fuse Size: 10 X 38mm;
- ✦ 使用类别 /Class of Operation: gPV
- ✦ 标准/Standard: UL248-19 IEC 60269-6
- ✦ 分断能力/Breaking Capacity: 20kA
- ✦ 时间常数/Time Constant: 1-3ms

尺寸/Dimensions-mm



CF-10PV

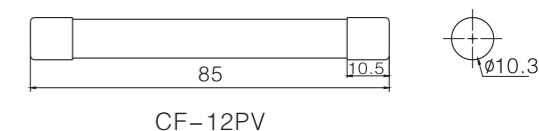


CF-12PV CFPV1085 2-30A 1500V DC  
CF-16PV CFPV1485 30-50A 1500V DC

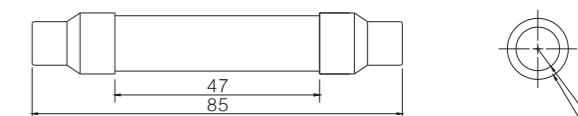
光伏熔断器  
Photovoltaic Fuse

- ✦ 尺码/Fuse Size: 10X85mm /14x85mm
- ✦ 使用类别 /Class of Operation: gPV
- ✦ 标准/Standard: UL248-19 IEC 60269-6
- ✦ 分断能力/Breaking Capacity: 20kA
- ✦ 时间常数/Time Constant: 1-3ms

尺寸/Dimensions-mm



CF-12PV



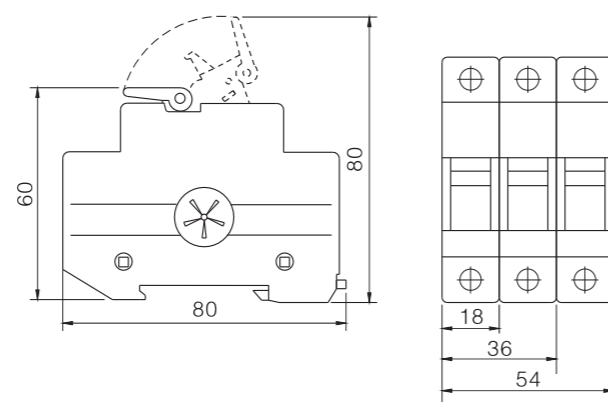
CFPV-63L

CFPV-32 32A 1000V DC (10X38)

光伏熔断器  
Photovoltaic Fuse

- ✦ 额定电压/ Rated Voltage : 1000V.dc
- ✦ 使用类别 /Class of Operation: gPV
- ✦ 标准/Standard: UL248-19 IEC 60269-6

尺寸/Dimensions-mm



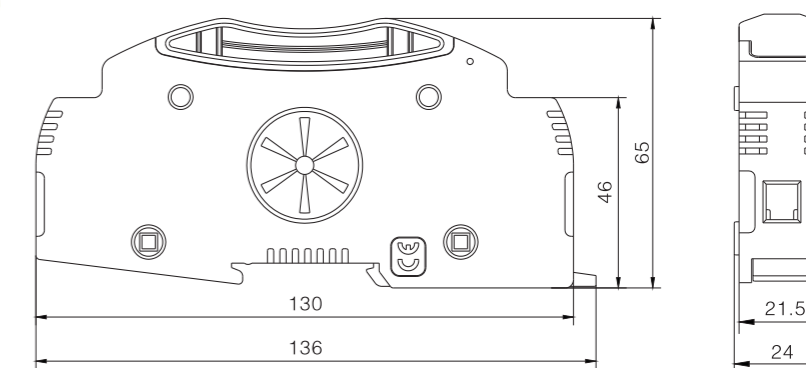
CFPV-32



CFPV-63L 50A 1500V DC (10/14X85)

光伏熔断器  
Photovoltaic Fuse

- ✦ 额定电压/ Rated Voltage : 1500V.dc;
- ✦ 使用类别 /Class of Operation: gPV
- ✦ 标准/Standard: UL248-19 IEC 60269-6



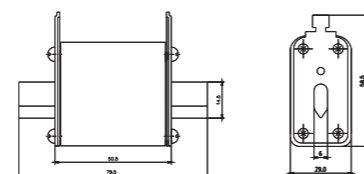
CFPV-63L

CFPV-H00 16-100A 1000V DC  
 CFPV-H1 32-160A 1000V DC  
 CFPV-H2 160-250A 1000V DC  
 CFPV-H3 250-400A 1000V DC

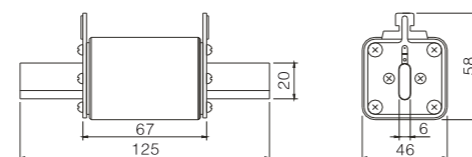
光伏熔断器  
 Photovoltaic Fuse

- 使用类别 /Class of Operation: gPV
- 标准/Standard: GB/T 13539.6 IEC 60269-6
- 分断能力/Breaking Capacity: 50kA
- 时间常数/Time Constant: 1-3ms

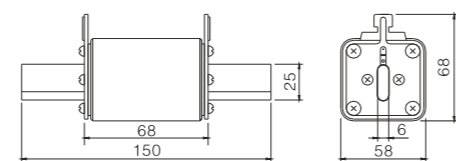
尺寸/Dimensions-mm



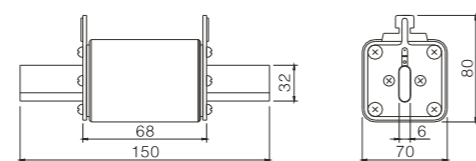
CFPV-H00



CFPV-H1



CFPV-H2



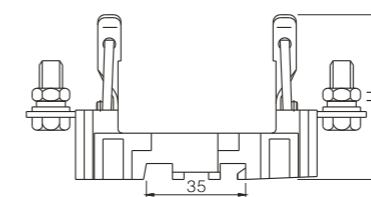
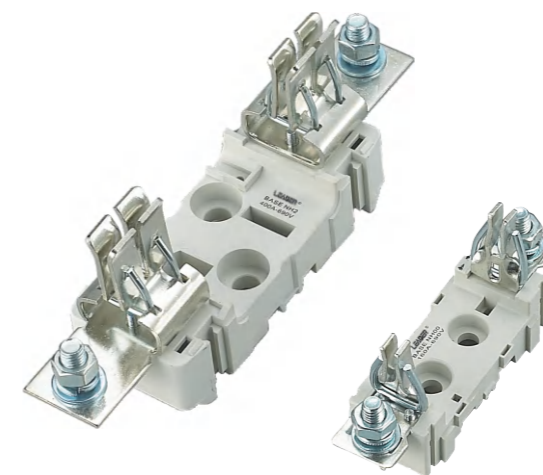
CFPV-H3

CFPV-H00B 1000V DC  
 CFPV-H1B 1000V DC  
 CFPV-H2B 1000V DC  
 CFPV-H3B 1000V DC

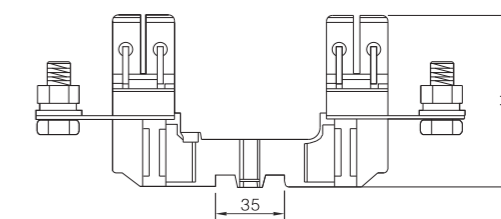
光伏熔断器  
 Photovoltaic Fuse

- 额定电压/Rated Voltage: 1000V.dc;
- 使用类别 /Class of Operation: gPV
- 标准/Standard: GB/T 13539.6 IEC 60269-6

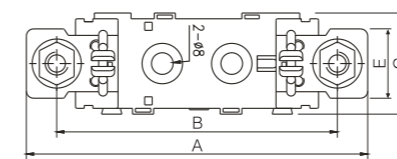
尺寸/Dimensions-mm



CFHB-00



CFHB-1



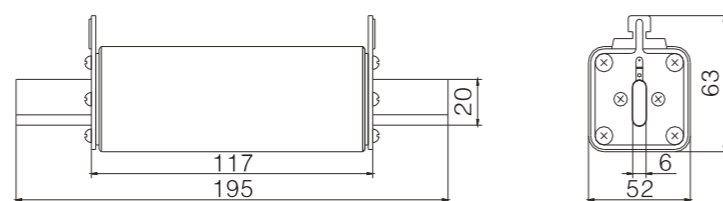
产品型号 Model	配装熔断体 Applicable fuse link	额定电压 Rated voltage (V)	额定电流 Rated current (A)	外形尺寸/尺码(mm) Overall dimension/size				
				A	B	C	E	H
CFHB-00	CFH-00 NH00	1000V dc	160	119	98	34	23	57
CFHB-1	CFH-1 NH1	1000V dc	250	208	176	58	32	82
CFHB-2	CFH-2 NH2	1000V dc	400	224	192	58	35	89
CFHB-3	CFH-3 NH3	1000V dc	630	239	207	58	40	106

CFPV-H1XL 35A-250A 1500V DC  
 CFPV-H2XL 125A-400A 1500V DC  
 CFPV-H3L 315A-500A 1500V DC

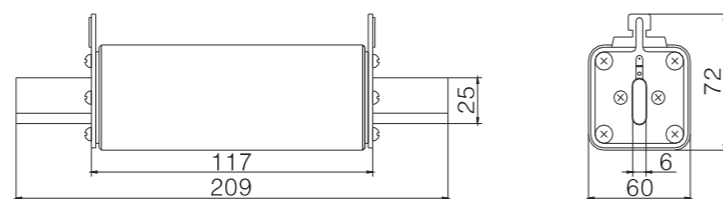
光伏熔断器  
 Photovoltaic Fuse

- ✦ 使用类别 /Class of Operation: gPV
- ✦ 标准/Standard: GB/T 13539.6 IEC 60269-6
- ✦ 分断能力/Breaking Capacity: 30kA
- ✦ 时间常数/Time Constant: 1-3ms

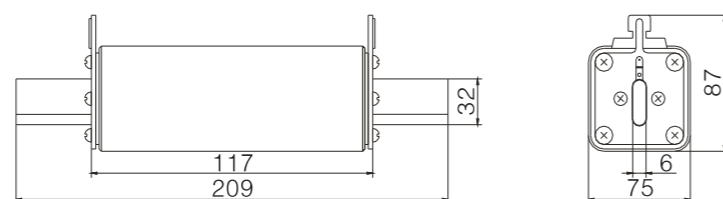
尺寸/Dimensions-mm



CFPV-H1XL



CFPV-H2XL



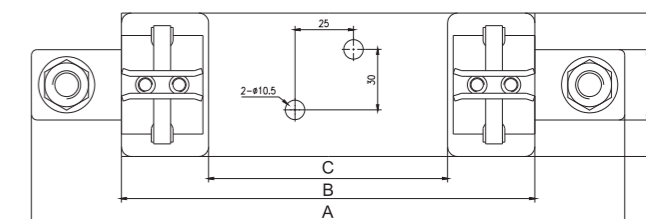
CFPV-H3L

CFPV-H1XLB 1500V DC  
 CFPV-H2XLB 1500V DC  
 CFPV-H3LB 1500V DC

光伏熔断器  
 Photovoltaic Fuse

- ✦ 额定电压/Rated Voltage: 1500V .dc;
- ✦ 使用类别 /Class of Operation: gPV
- ✦ 标准/Standard: GB/T 13539.6 IEC 60269-6

尺寸/Dimensions-mm



产品型号 Model	配套熔断体 Applicable fuse link	额定电压 Rated voltage (V)	额定电流 Rated current (A)	外形尺寸/尺码(mm) Overall dimension/size				
				A	B	C	E	H
CFPV-H1XLB	CFPV-H1XL	1500V dc	250	268	199	135	52.5	102
CFPV-H2XLB	CFPV-H2XL	1500V dc	400	278	210	137	63	104
CFPV-H3LB	CFPV-H3L	1500V dc	630	306	212	147	80.5	108

